

On Coordination of Smart Grid and Cooperative Cloud Providers

Monireh Mohebbi Moghaddam^{*}, Mohammad Hossein Manshaei^{*}, Mehdi Naderi Soorki[†],
Walid Saad[‡], Maziar Goudarzi⁺, and Dusit Niyato[‡]

^{*}Department of Electrical and Computer Engineering, Isfahan University of Technology, Isfahan, Iran,

[†] Engineering Department, Shahid Chamran University of Ahvaz, Ahvaz, Iran,

[‡]Department of Electrical and Computer Engineering, Virginia Tech, Blacksburg, VA, USA,

⁺Department of Computer Engineering, Sharif University of Technology, Tehran, Iran,

[‡]Department of Computer Science and Engineering, Nanyang Technological University, Singapore.

Abstract—Cooperative cloud providers in the form of cloud federations can potentially reduce their energy costs by exploiting electricity price fluctuations across different locations. In this environment, on the one hand, the electricity price has a significant influence on the federations formed, and, thus, on the profit earned by the cloud providers, and on the other hand, the cloud cooperation has an inevitable impact on the performance of the smart grid. In this regard, the interaction between independent cloud providers and the smart grid is modeled as a two-stage Stackelberg game interleaved with a coalitional game in this paper. In this game, in the first stage the smart grid, as a leader chooses a proper electricity pricing mechanism to maximize its own profit. In the second stage, cloud providers cooperatively manage their workload to minimize their electricity costs. Given the dynamic of cloud providers in the federation formation process, an optimization model based on a constrained Markov decision process (CMDP) has been used by the smart grid to achieve the optimal policy. Numerical results show that the proposed solution yields around 28% and 29% profit improvement on average for the smart grid, and the cloud providers, respectively, compared to the noncooperative scheme.

Index Terms— Smart grid, demand response, cloud federation, data center, game theory.

I. INTRODUCTION

The smart grid (SG), as the next generation of the power grid, which is characterized by two-way communications, advanced control technologies, and modern energy management techniques, enhances efficiency, sustainability, and reliability of the electric energy [1], [2]. One key feature of the SG is the so-called demand response (DR) model using which the SG can design suitable incentives to induce dynamic demand management of customers in response to grid conditions [3]. The utility companies can employ smart electricity pricing such as time or location-dependent pricing policies as DR programs to incentivize customers shift their load from peak to off-peak times or from one physical location to another [4].

Data centers (DCs) constitute a valuable target for DR due to their substantial energy consumption [5]. Moreover, loads of DCs are flexible that make them amenable to DR. DC operators can shift their load from peak to off-peak time, migrate their workload from one physical location to another, or use the on-site generators and energy storage units. This

flexibility provides an important opportunity for the SG to implement DR programs. Finally, the participation of DCs in DR programs is beneficial not only for the SG but also for the DC operators because it can reduce their electricity bill. In this regard, cloud providers (CPs) have recently started investigating new approaches to develop suitable workload management mechanisms to increase their contributions in DR programs as well as to minimize their costs [6]. One promising solution for the power cost reduction of the cloud providers is through cloud cooperation in the form of *cloud federations*. A cloud federation is a set of individual CPs agreeing to use their resources mutually and serve their users' workload cooperatively [7]. Cloud federation enables the cloud participants to reduce their electricity bills by using more energy-efficient resources, accessing to more flexible energy management strategies, or by employing the spatial variation of the electricity prices over locations [8].

Particularly, when independent CPs cooperate with each other and shift their workload toward other DCs, their electricity demands change compared to the case of non-cooperation scheme. This not only changes the electricity bills of CPs but also has a major impact on the SG. In practice, the SG seeks to balance supply and demand. In this regard, utility companies should predict their customers' demands and set electricity prices dynamically to achieve their goals. Geographic load distribution may lead to the changes in the power demands and it can also incur extra cost to the SG due to over/under loads if it is not considered by the SG [9]. Despite this effect, the SG can utilize this opportunity by considering the possibility of cloud cooperation through the right setting the electricity prices for different power buses. Consequently, the CPs should decide on how to form the federations to minimize their electricity costs given the electricity prices.

There have been a significant amount of efforts on designing effective programs to improve the participation of the DCs in DR (e.g., [10], [11]). However, most of these works addressed the DR of one cloud provider and did not consider the interaction of multiple CPs with the SG. On the other hand, several contributions are focusing on the electricity bill reduction of DCs through geographical migration of the workload by forming the cloud federations (e.g. [7], [12]). However, these

works did not consider the CPs cooperation in the context of demand response programs as well as the effect of this cooperation on the SG performance.

Different from this prior literature, and regarding [9], which expressed the cooperation among multiple providers, and design of DR mechanisms for spatial-coupling loads, such as data centers as two main issues which require more attention from the research community, the main contribution of this paper is modeling and analyzing a situation in which an SG deals with independent CPs through a location-dependent DR program. To this end, we aim to formulate the process of dynamic location-dependent electricity pricing by the SG along with the cooperative workload management of independent CPs. In particular, we consider an SG composed of multiple power buses and some DCs and model their interactions. The smart grid seeks to choose the set of prices to achieve an optimal balance between maximizing its profit and performing load balancing among power buses. Meanwhile, the CPs will perform the demand side management by cooperatively servicing the users' workload by forming the federations to minimize their electricity costs.

For this scenario, we develop a game-theoretic model to jointly address the strategic decision of the SG for electricity prices and the cooperative workload management of CPs in response to the SG policies. This model is based on the controlled coalition game framework introduced in [13]. It is composed of a coalition formation scheme between the cloud providers and an optimization formulation for the smart grid. The proposed model is analogous to a nested two-stage Stackelberg game, integrated with a coalition formation game. The leading player in this game is the SG that chooses electricity prices for each bus, in the first stage. In the second stage, the CPs adapt their strategies (i.e. cooperative workload management through coalition formation) after observing the selected strategy by the smart grid. Our main contributions can be summarized as follows.

- *Cooperative cloud providers and smart grid interaction:* We formulate the interaction between a smart grid and independent cloud providers who worked cooperatively in the form of cloud federations in the context of a dynamic electricity pricing scheme.
- *Modeling and solution techniques:* We model the problem as a two-stage Stackelberg game, integrated with a coalitional game. We apply the coalitional game to analyze the process of federation formation among CPs. Given the dynamic of CPs, an optimization model based on the constrained Markov decision process (CMDP) used by the smart grid to find the optimal policy which is a mapping from coalition states to the electricity pricing policies.
- *Simulation and results:* We conduct simulations to show the effectiveness of the proposed approach. Numerical results show that the SG can achieve the objective of maximizing the revenue earned and minimizing the mismatch between the power supply and demand, and the energy cost of CPs reduces significantly.

The rest of this paper is organized as follows. In Section II,

we review related work. We introduce our system model in Section III. Section IV gives the problem definition. In Section V, we present our game model. Simulation studies are presented in Section VI, and Section VII gives the conclusion.

II. RELATED WORKS

We discuss two classes of related works. The first category addresses the DR of geo-distributed DCs. The second category investigates techniques for exploiting cooperation among cloud providers for energy cost reduction.

A. Geo-distributed Data Center Demand Response

Although significant recent studies have investigated the problem of DC management in DR programs, only a handful of works looked at the participation of geo-distributed DCs. In this regard, the work in [14] and [15] designed an auction mechanism to elicit the potential of the demand response from a geo-distributed cloud. [16] proposed a price-sensitivity aware geographical load balancing scheme for distributed Internet data centers taking into account the dynamic characteristics and actual physical constraints of the SG. The authors in [17] focused on the energy cost and carbon emission of cloud DCs equipped with renewable energies, and study the green scheduling of them by energy trading with the SG.

DR of distributed DCs in the deregulated energy market considering the uncertainties in the arrival rates of the workloads, local renewable generation, and time-varying electricity prices is studied in [18] and [10]. In [19], authors studied the pricing of bilateral electricity trade between a cloud with geo-distributed hybrid DCs and the corresponding smart grids. Moreover, in [20] and [21], authors formulated the participation of geo-distributed DCs in a dynamic electricity pricing program as a two-stage Stackelberg game. In these prior works, the smart grid is modeled as a leader that performs load balancing among power buses and maximizes its profit, whereas the cloud provider as the follower seeks to maximize its benefit. The authors in [22] studied the same problem while taking into account the active decisions of both sides and formulated the problem using bilevel programming. A summary of the recent researches on the participation of geo-distributed DCs in DR programs is shown in Table III.

In contrast to this prior art, we address the problem of demand response of independent CPs, not a geo-distributed cloud. In the case of geo-distributed DCs belonging to a cloud, all DCs always collaborate with each other to maximize the profit of the corresponding cloud. This assumption is not true for independent CPs. As they are often selfish entities who cooperate with each other only when it is beneficial for them. Therefore, when dealing with the DR of multiple CPs, one must investigate what stable coalitions are formed and how the smart grid affects this collaboration.

B. Energy Management of Cloud Federation

There is a significant number of works that addressed the problem of federation formation among CPs for various targets such as improving resource utilization or overcoming

the resource limitation (e.g. [23]–[26]). However, only a few recent works focused on the federation formation for the purpose of energy cost reduction [7], [12], [27], [28] as well as energy sustainability [29].

Authors in [12] proposed an energy-aware resource and revenue sharing mechanism and focused on minimizing the overall energy of cloud providers. The work in [7] addressed the problem of federation formation in order to reduce the CPs' energy cost and devised an algorithm based on cooperative game theory to allocate workload in an energy-aware fashion. In [28], the authors proposed a framework for cooperative virtual machine (VM) management of cloud users in a smart grid environment. They designed an algorithm to allocate VM of cloud users to the available resources and to manage the DCs' power consumption under various uncertainties.

The prior works in [7], [12], [27], [28] assumed that the electricity prices are not affected by the CPs' cooperation. Consequently, they did not consider the impact of the cloud federation on the smart grid as well as how the smart grid takes its decision while taking into account the cooperative workload management of the CPs. Unlike these studies, we consider both the impact of the smart grid decision on the cooperative VM allocation among the cloud providers and the influence of the cloud providers' cooperation on the smart grid.

Beyond these categories, [30], [31] and [32] are three relevant studies which addressed DR of cooperative CPs. The authors in [30] presented the aggregated participation of the CPs in a smart grid's power reduction program. The work in [31] modeled the DCs electricity procurement process in the wholesale electricity market. In this work, DCs aggregate their loads to mitigate their power demand uncertainty in the market. Leveraging the cooperative game theory, [32] proposed a cloud federation formation algorithm in the presence of a location-dependent DR program and analyzed the effect of this cooperation on the SG performance. In contrast to the works in [30] and [31], we consider the cooperative workload management of geo-distributed cloud providers. Because of the geographical distribution of CPs, they can take advantage of the variety in the electricity prices to reduce their costs. Besides, unlike these works which consider the aggregation of CPs demands, in our work, VMs are migrated from one CP toward the others to reduce the electricity bill. Compared to [32] in which the SG is unaware of the CPs cooperation, here, we consider the SG as an active agent in our game model, takes strategic decision and model the interaction of the SG with CPs along with the CPs cooperation. The related works in this category are summarized in Table IV.

III. SYSTEM MODEL

We consider a system that consists of multiple cloud providers with geographically distributed data centers that interact with a smart grid system. Each data center is connected to a power bus to obtains its power. The smart grid operator should denote, and consequently announce the price function of each bus. Given pricing functions, each CP should specify the amount of the electricity demand of its data center. The power demand of each DC is denoted by the amount of the

workload that should be processed. Each cloud provider can individually process its users' requests or can cooperate with the others if the cooperation leads to more benefits compared to the noncooperative case. In the following, we describe our system model with more details.

A. Smart Grid

We consider a discrete time model $\mathcal{T} = \{1, \dots, T\}$ in which the length of each time slot t is determined according to the time-scale at which the pricing decisions are updated (for e.g. one hour). We consider a smart grid that encompasses a set \mathcal{I} of I power buses. The power buses are interconnected through branches and form grid topology. Each power bus is connected to various load devices. In our model, some buses include data centers that provide cloud computing services [20], [33]. In essence, we consider a set \mathcal{N} of N distributed DCs belonging to different cloud providers. Each data center j is connected to one power bus in the smart grid to obtain its required electricity [30]–[32]. As we are interested in demand response of data centers, we focus on these loads and assume that non-data center power demands are not elastic and the smart grid can accurately predict their demands for the near future [20], [33].

As the DR program, we consider a location-dependent pricing scenario such as [22], [33], [34] for charging data centers. In this regard, we define the electricity price function θ_j^t for DC j at time slot t as follows:

$$\theta_j^t = \beta_j(e_j^t - \delta_j^t) + z_j^t, \quad (1)$$

where e_j^t represents the power consumption of data center j , δ_j^t is the billing reference should be determined by the smart grid, $\beta_j > 0$ is a sensitivity parameter, and Z_j^t is the base electricity price of the power bus j at time t . This dynamic pricing scheme motivated by the tiered electricity pricing, which has been widely implemented in many power markets.

To encourage the CPs to shift their electricity loads to less loaded locations and prevent the SG from abusing its market power, some constraints should be set to regulate the electricity prices. In practice, the smart grid and cloud providers usually negotiate with each other and enter into a contract to specify the pricing structure. Based on related studies such as [22], electricity prices should set in a specific range $[\theta_l, \theta_h]$, where θ_l and θ_h are lower and upper bounds, respectively.

B. Cloud Computing

In our system, each data center $j \in \mathcal{N}$ consists of a set \mathcal{M}_j of M_j hosts. For simplicity, we assume that all of the hosts that belong to one of the DCs are homogeneous in terms of processing capacity and provided the amount of memory [34]. CPs provide their physical resources in the form of virtual machine (VM) instances to customers. Each CP can offer different VM classes which are different in terms of the processing capacity as well as the available memory. Without loss of generality, we assume that all CPs offer the same VM class.

A VM allocated on a physical host uses a certain fraction of processing capacity and a specific amount of the memory.

Generally, each host has adequate resources for running more than one VM at a specific time. Let a_j be the total number of VMs that can be served simultaneously by a single host of DC j . In this regard, we define Q_j as the processing capacity of CP j , which is equal to $M_j a_j$ [7].

In a specific time slot, the amount of the workload of users of CP j is represented by W_j , which is the set of VMs that compose this workload. We denote the number of requested VMs of CP j at time slot t by W_j^t . CP j can process this workload either by using its hosts or by shifting it to the DCs of other CPs. Additionally, each CP j defines a revenue policy for charging its customers. In other words, CP j should determine a per unit price for each VM class that customers should pay. In this way, we define r_j as the CPs charge for processing each VM from class j [7].

C. Data Center Power Consumption

Here, our focus is on the energy used by hosts while ignoring the energy consumption of the other facilities such as cooling devices and unit power supplies. However, the power consumption of these facilities is roughly proportional to the host power [35] through the power usage efficiency (PUE). PUE is defined as a ratio between the total power amount used by the entire DC facility (consisting of hosts, cooling devices, etc.) and the power consumption of IT equipment.

We model the host power consumption as $P_j^{\text{idle}} + U(P_j^{\text{peak}} - P_j^{\text{idle}})$ for any host j . Here, P_j^{peak} denotes the host power when it is fully utilized, P_j^{idle} represents the amount of power consumption in an idle state, and U is the fraction of CPU being used. In [36], the authors showed that this model, despite the simplicity, provides an accurate estimate of the power consumption for different host types. Hence, when m_j^t hosts are active in time slot t , the average power consumption of DC j can be calculated as follows [30]:

$$e_j^t = m_j^t \left[P_j^{\text{idle}} + \left(P_j^{\text{peak}} - P_j^{\text{idle}} \right) U_j^t \right] \gamma_j, \quad (2)$$

where U_j^t is the average CPU utilization level of hosts at DC j , and γ_j is its PUE. This parameter usually has a value in the range of [1.1, 3]. A smaller value indicates a more efficient DC in terms of power consumption. Table I lists all of used notations.

IV. PROBLEM STATEMENT

Given the defined system model, we can now describe our problem through an example. Consider the smart grid system in Figure 1 which represents the IEEE 24-bus reliability test system, which includes 24 power buses and 38 branches. Assume that there are N data centers in the system connected to different buses. Each data center is in the domain of a specific cloud provider, and obtains its power through the bus is connected to. In this system, as stated before, the SG should announce the price function for each power bus, according to (1). In this regard, as β_j and z_j^t parameters have known and predictable values, the SG should determine the value of δ_j^t . The smart grid seeks to choose the set of prices to achieve its predetermined goals which are maximizing the revenue and

TABLE I: List of Notations.

Notation	Definition
\mathcal{I}	Set of power buses
\mathcal{N}	Set of CPs
\mathcal{T}	Set of time slots
θ_j^t	Unit electricity price for DC j at time slot t
z_j^t	Base electricity price at power bus j at time slot t
β_j	Sensitivity parameter at price function
δ_j^t	Billing reference at bus j at time slot t
M_j	Number of hosts of DC j
W_j^t	Workload of CP j at time slot t
Q_j	Processing capacity of DC j
r_j	Charging price for a VM of CP j
a_j	Number of VMs served by a single server
e_j^t	The amount of power consumption of DC j
P_j^{idle}	Average idle power of a host at DC j
P_j^{peak}	Average peak power of a host at DC j
m_j^t	The number of active hosts of DC j at time slot t
γ_j	Power usage efficiency (PUE) of DC j
U_j^t	Average CPU utilization of servers at DC j
\mathcal{S}	A CP coalition/federation
$v(\mathcal{S})$	Worth of coalition \mathcal{S}
$\theta_{\mathcal{S}}$	Electricity prices for CPs in coalition \mathcal{S}
$\psi_j(\mathcal{S})$	Payoff received by CP j as a member of \mathcal{S}
$R(\mathcal{S})$	Revenue rate of coalition \mathcal{S}
$C(\mathcal{S})$	Cost rate of coalition \mathcal{S}
$\omega_{i,j}^t$	Number of migrated VMs from CP i to j
$C_{i,j}^M$	Cost of VM migration from CP i to j
U^{SG}	The SG utility function
G_j^t	Maximum available power supply to DC j
θ_l	Lower bound on the electricity price
θ_h	Upper bound on the electricity price
α_1, α_2	Weighting parameters in the SG utility function
Ω	State space of CPs coalition formation game
χ	A coalition partition/state
B_N	N -th Bell Number
$\mathbf{T}(\delta)$	Transition probability matrix of a coalition state
$\eta_{k,k'}(\delta)$	Prob. of changing state from partition χ_k to $\chi_{k'}$
σ	Prob. of performing merge and split by a CP
$\tau(\cdot)$	Best-reply rule function
ϱ	The probability of a CP acting rationally
ϵ	The probability of a CP acting irrationally
\vec{p}	Stationary probabilities of Markov chain
π	The SG pricing policy

minimizing the mismatch between the supply and demand. Given electricity pricing functions, each CP should specify the power demand of its data center, i.e. e_j^t value in (1). Here, CPs are flexible, rational customers who perform the demand side management in such a way maximize their profits. The profit defined as the total revenue obtained from serving the users' requests, subtracted by the energy cost paid to the SG.

As shown in this figure, each data center j receives some requests for workload processing from its users, denoted by W_j . In a noncooperative case, each cloud provider should

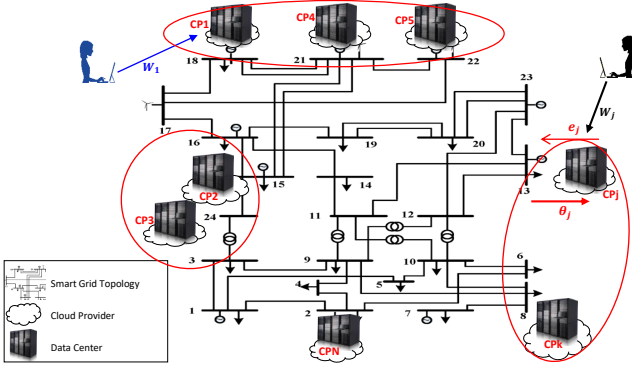


Fig. 1: An overview of the system model and problem statement.

process its own workload and, then, submits the power demand to the smart grid in a way to ensure a service for all of its workload. However, cloud providers can cooperate with each other in the form of cloud federations and jointly process their workload in such a way to reduce their electricity cost. For example, consider a case with N CPs in which CPs 1, 4 and 5 form a coalition with three members, CPs 2 and 3 form a coalition, CPs j and k form another coalition, and other CPs prefer to work alone. In this case, the users' requests received by a coalition member can migrate to the other one, if this migration leads to less cost than working non-cooperatively.

Within the aforementioned system, on the one hand, the coalitions formed among CPs depend on the pricing functions denoted by the SG. On the other hand, the electricity prices as well as the profit earned by the SG influenced by the coalition formation process performed by CPs. In other words, the CPs form the coalitions in such a way minimize their energy cost and changing the electricity price functions affect on their cost. Hence, the SG can affect on the CPs' decisions and profits by controlling the pricing functions. Indeed, the coalition formation among CPs changes their power demand of different buses, consequently, has an undeniable influence on the SG's profit.

Given the above description, it is clear that the selected strategy by each side (i.e., the SG and CPs) strongly affects the behavior and subsequently, the profit of the other side. Therefore, we are facing a strategic situation with rational agents where the action taken by each decision-maker influences on the behavior and the payoff of the other. In such setting, game theory is a proper analytical tool that can be utilized to formulate the interactions between the SG and CPs from one side and the cooperation among CPs from the other side [13]. In the next section, we will describe a game model that is designated to specify the optimal strategies should be taken by decision makers.

V. GAME MODEL

In this section, we present our game model to jointly address the coalition formation between the CPs and finding the optimal pricing strategy of the SG. We need a hierarchical model in which the SG sets the pricing functions at the first and, then, the CPs respond to the SG action by forming

proper coalitions. In this regard, we designate a two-stage game model, integrated with a coalition formation game in the second stage, named "Interactive Cooperative Game (ICG)". This model which is based on the controlled coalition game introduced in [13], represented in Figure 2, and its details will be explained in the following subsections. Particularly, in this model, the SG as the leading player should specify the pricing functions given the possible formed coalitions among CPs, such that maximize its own profit. Furthermore, in the second stage, the CPs as the followers manage their workload collaboratively so that they minimize their cost.

To obtain the optimal strategies for the leader and followers, our game is decomposed into the following two interrelated problems: 1) An optimization formulation for the SG and 2) Cooperative VM management by forming the CPs coalitions in a distributed way. We start with the problem of cooperative workload management by the CPs, and, then formulate the optimization formulation for the SG.

A. CPs Coalitional Game

In this section, we study how CPs form stable coalitions, optimally allocate the coalition workload and divide the coalition profit. We apply the coalitional game theory to analyze the cooperative behavior of CPs. Coalitional game is a branch of game theory focused on studying the behavior of a group of rational agents when they cooperate [37], [38]. In particular, coalition formation game [37] is a special class of coalitional games used for analyzing the coalition formation process between the players. In our model, we should investigate the cooperative workload management of CPs by forming the federations and analyzing their characteristics. Hence, this type of cooperative games is appropriate to use.

1) *Coalitional Game Characterization*: Given the set of CPs as players of the coalition game, a coalition $\mathcal{S} \subseteq \mathcal{N}$ is defined as a non-empty subset of CPs who agree to cooperatively serve their workload. We denote a coalition structure/partition of \mathcal{N} by χ , where $\chi = \{\mathcal{S}_1, \mathcal{S}_2, \dots, \mathcal{S}_l\}$. In our coalitional game model, each provider is a member of exactly one coalition, i.e., $\mathcal{S}_i \cap \mathcal{S}_j = \emptyset, \forall i, j$, where $i \neq j$ and $\bigcup_{i=1}^l \mathcal{S}_i = \mathcal{N}$. The total number of coalition structures is B_N , where B_N , the N -th Bell number, is the number of nonempty subsets a set of size N can be partitioned into [39].

In addition to the player set, each coalition \mathcal{S} has a coalition value, denoted by $v(\mathcal{S})$. Mainly, the coalition value quantifies the net profit of coalition \mathcal{S} . In the following, we define the coalition value for our coalition formation game.

2) *Coalition Value*: To determine the coalition value, we should define the revenue and cost rate of a coalition \mathcal{S} , which are represented by $R(\mathcal{S})$ and $C(\mathcal{S})$, respectively. $R(\mathcal{S})$ is the sum of revenue rates of individual VMs which served by the coalition members, and can be calculated as:

$$R(\mathcal{S}) = \sum_{j \in \mathcal{S}} W_j^t r_j. \quad (3)$$

The associated cost consists of the energy cost of processing the coalition workload, which depends on the values of θ_j^t , plus the cost of the VM migration between the coalition members

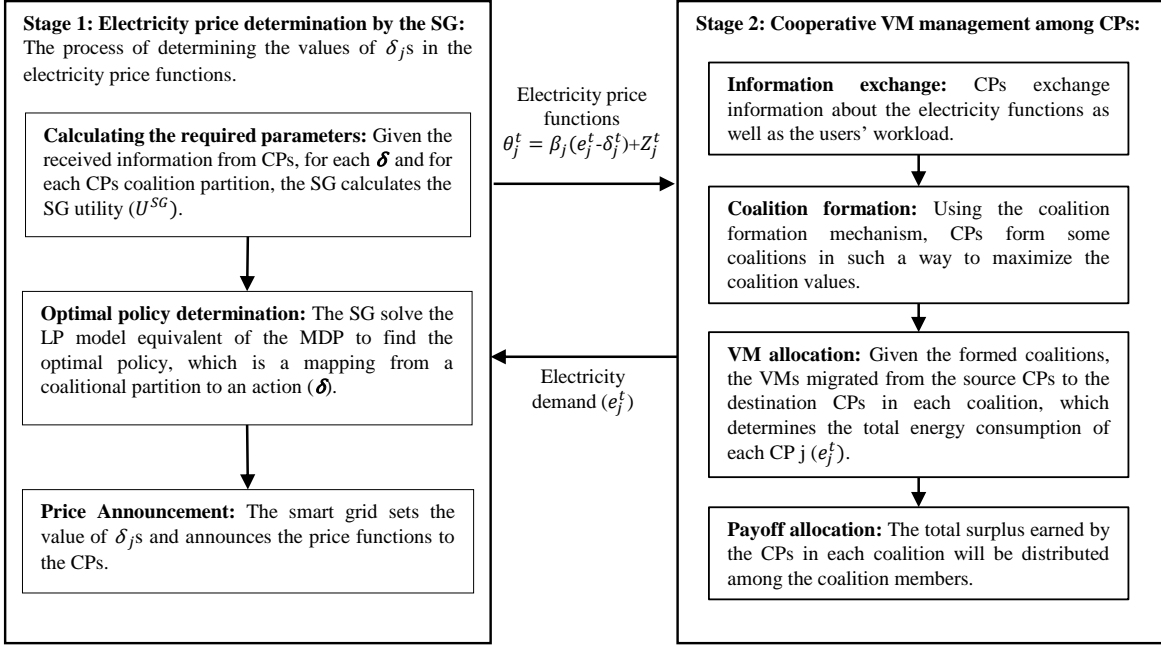


Fig. 2: Hierarchical two-stage game model. In the first stage, the SG chooses its strategy (the electricity price functions) so that maximize its profit. In stage 2, the CPs adapt their strategies (i.e. coalition formation) to minimize their energy cost.

(e.g., due to network bandwidth used for migration). This is defined as:

$$C(\mathcal{S}) = \sum_{j \in \mathcal{S}} \theta_j^t(\delta) e_j^t(\delta) - \sum_{i \in \mathcal{S}} \sum_{j \in \mathcal{S}} \omega_{i,j}^t C_{i,j}^M, \quad (4)$$

where $C_{i,j}^M$ is the hourly migration cost of a VM from CP i to CP j , and $\omega_{i,j}^t$ represents the number of migrated VMs. θ_j^t is the electricity price at bus j , and obtained from (1). e_j^t is the amount of the power consumption of CP j , and computed from 1. The VM migration will be performed when the total energy cost of processing a VM in the destination DC, plus the migration cost becomes less than the cost of serving that VM in the source DC. This difference generally stems from the location-dependent electricity prices. Given the above explanation, we define the coalition value as follows:

$$v(\mathcal{S}) = R(\mathcal{S}) - C(\mathcal{S}). \quad (5)$$

As we can see from (3)-(5), the coalition value $v(\mathcal{S})$ solely depends on the members of \mathcal{S} , with no dependency on the other coalitions outside \mathcal{S} . This property indicates the class of cooperative games with characteristic form. So, our game belongs to this class. Moreover, the proposed game has a transferable utility (TU) because the coalition value in (5) is the amount of money gained by this coalition and can be divided among the members in any arbitrary manner [40].

We assume that all CPs apply the same policy to charge their customers (same values for r_j in (3)). So, the associated cost of a coalition \mathcal{S} , i.e., $C(\mathcal{S})$ in (5), plays an important rule in the coalition value. This cost depends on how the coalition workload is assigned to the hosts of the coalition members. As a result, different VM allocations change the values of e_j^t

and $\omega_{i,j}^t$, subsequently, $v(\mathcal{S})$. Moreover, as CPs are rational players, they seek to minimize their cost as much as possible. Therefore, we should find the optimal solution of the VM allocation for a given coalition \mathcal{S} , so as to minimize the total cost. We cast this problem as a VM allocation optimization.

3) *Optimal VM Allocation:* As we mentioned, the VM allocation should be done in such a way the cost becomes minimized. Hence, we can formulate the optimal VM allocation as follows:

$$\min_{\omega_{i,j}^t} C(\mathcal{S}) \quad (6)$$

$$\text{s.t.} \quad \sum_{j \in \mathcal{S}} \omega_{i,j}^t = W_i, \quad \forall i \in \mathcal{S}, \quad \forall t \in \mathcal{T}, \quad (7)$$

$$\sum_{i \in \mathcal{S}} \omega_{i,j}^t \leq Q_j, \quad \forall j \in \mathcal{S}, \quad \forall t \in \mathcal{T}, \quad (8)$$

$$\omega_{i,j}^t \in \mathbb{Z}^+, \quad \forall i, j \in \mathcal{S}, \quad \forall t \in \mathcal{T}, \quad (9)$$

where $\omega_{i,j}^t$ are decision variables, which are the number of migrated VMs from DC i to j . The value of $\omega_{i,j}^t$ affects on the number of active hosts. (7) ensures that all workloads are served. The condition presented by (8) guarantees that the total workload assigned to a CP will not exceed its capacity. The final constraint (9) defines the valid domain of the decision variables. By solving the optimization problem, the workload should be migrated ($\omega_{i,j}^t$) and processed by each CP will be specified. As a result, the amount of energy consumption of each data center (e_j^t) is determined.

4) *Payoff Allocation:* The final output of the optimization problem in (4) is the optimal VM allocation among the coalition members. In this stage, the coalition value, $v(\mathcal{S})$, can be calculated from (5), by substituting the coalition cost

from the revenue earned. Now, we should determine how the total surplus should be distributed among the coalition members. The payoff allocation rule specifies this allocation. In this regard, we apply the Shapley value [41] to divide the coalition payoff fairly. Here, fairness indicates that CP's profit is proportional to the value it is added to the federation. In other words, the Shapley value represents the marginal contributions of any CP to the federation it belongs to. In contrast with other payoff sharing rules, this scheme allows federations to allocate payoff to their members according to their economical contributions. As the CPs seek to maximize their monetary payoffs and cooperate with the others when the cooperation leads to more benefit from acting alone, this scheme is a good choice.

The Shapley value associates with every coalition a unique payoff vector. This value for $j \in \mathcal{S}$ in a coalition formation game with TU is calculated as follows:

$$\psi_j(\mathcal{S}) = \sum_{\mathcal{F} \subseteq \mathcal{S} \setminus \{j\}} \frac{|\mathcal{F}|!(|\mathcal{S}| - |\mathcal{F}| - 1)!}{|\mathcal{S}|!} (v(\mathcal{F} \cup j) - v(\mathcal{F})), \quad (10)$$

where \mathcal{F} denotes all subsets of \mathcal{S} that do not include j . In other words, $\psi_j(\mathcal{S})$ determines the final payoff that received by cloud provider j , from the coalition \mathcal{S} . It is clear from Equations (4)- (10) that the electricity prices have a direct effect on the profit earned by the CPs.

B. The Smart Grid Utility

Before introducing the interactive game model, we should specify the SG's utility function. We define the objective of the SG as an optimal balance between maximizing its revenue earned from selling the power and minimizing the mismatch between the power supply and demand. In this regard, we consider a utility function similar to [20] as follows:

$$U^{SG}(\chi_k, \delta) = \alpha_1 \sum_{j=1}^N \theta_j^t(\delta) e_j^t(\delta) - \alpha_2 K \sum_{j=1}^N |e_j^t(\delta) - G_j^t|, \quad (11)$$

where χ_k is a partition of CPs, K is a normalized parameter, and G_j^t is the maximum available power supply to DC j at time M , which is difference between the total power capacity at that bus and the background load. The first term in (11), specifies the total smart grid's revenue from selling electricity to the CPs, and the second part measures the amount of imbalance between the power generation and load. In (11), α_1 and α_2 are some wights, determined according to the importance of each term, where $\alpha_1 + \alpha_2 = 0$, $0 \leq \alpha_1, \alpha_2 \leq 1$. It is clear from (11) that the utility of SG changes by the electricity prices, or the SG strategy (δ) as well as the CPs' power demand (e). As we mentioned in Section V-A, the power demand of CPs depend on the partition formed among them (χ_k). Hence, each pair (χ_k, δ) leads to a specific profit for the SG.

The SG would like to directly control the CPs coalition formation process and determine the final CPs' partition in a centralized manner, if the CPs fully cooperate with SG. In this way, the SG operator selects the partition and price

set to maximize its payoff. Hence, we have the following optimization problem in this scheme:

$$\max_{\chi_k, \delta} U^{SG}(\chi_k, \delta) \quad (12)$$

$$\text{s.t.} \quad \theta_l \leq \theta_j^t \leq \theta_h, \forall j \in \mathcal{N}, \quad (13)$$

$$\mathcal{S} \cap \mathcal{S}' = \emptyset, \forall \mathcal{S}, \mathcal{S}' \in \chi_k, \quad (14)$$

$$\cup_{\mathcal{S} \in \chi_k} \mathcal{S} = \mathcal{N}. \quad (15)$$

where χ_k and δ are decision variables. Constraint (15) determines the lower and upper bound on the electricity price.

In practice, this scheme is not appropriate for data centers, given the risk of performance degradation [42]. Also, due to selfishness, a CP accepts the grouping proposal of SG if this partitioning maximizes its payoff. Otherwise, the CPs deviate and prefer to form other coalitions to increase their utilities. Hence, the CPs prefer to distributively decide about the coalition formation in such a way to maximize their utilities, which does not necessarily lead to maximum profit for the SG. We will explain this process in the next section. The centralized scheme, in which the CPs are not selfish, can be used as a benchmark as it gives an upper bound on the payoff that can be obtained by the smart grid.

C. Interactive Cooperative Game

In this section, we introduce the CPs' coalition formation mechanism and find stable coalitions. Then, formulate the smart grid optimization in the interactive game model.

1) *Coalition Formation Mechanism*: Having defined the characteristics of the CPs coalitional game as well as the payoff sharing rule in Section V-A, we need to determine the cooperative strategies of the CPs. These strategies specify how the CPs can switch between the different coalitions. We define two strategies for any CP in the coalitional game: 1) Split from a coalition; 2) Merge into a coalition [13].

Consider a coalition \mathcal{S} formed between some CPs. The CPs decide to *split* from current coalition \mathcal{S} and formed multiple new coalitions \mathcal{S}' , where $\mathcal{S} = \cup \mathcal{S}'$, if the payoff obtained by all CPs in \mathcal{S}' are larger or equal to their payoff in \mathcal{S} , and at least the profit of one CP strictly improves, as follows:

$$\psi_j(\mathcal{S}) \geq \psi_j(\mathcal{S}'), \forall j \in \mathcal{S}, \text{ and } \exists k \in \mathcal{S}, \psi_k(\mathcal{S}) > \psi_k(\mathcal{S}') \quad (16)$$

On the other hand, the CPs who are in multiple coalitions \mathcal{S} decide to merge into a single new coalition \mathcal{S}'' , where $\mathcal{S}'' = \cup \mathcal{S}$, if all CPs in all coalitions obtain larger or equal payoff in this new coalition than the former coalitions, and the profit of at least one CP strictly improves, i.e.

$$\psi_j(\mathcal{S}'') \geq \psi_j(\mathcal{S}), \forall j \in \mathcal{S}, \text{ and } \exists k \in \mathcal{S}, \psi_k(\mathcal{S}'') > \psi_k(\mathcal{S}) \quad (17)$$

The time complexity of the coalition formation mechanism is determined by the number of merge and split operations and the size of the sub-partitions. In the worst-case scenario, each coalition needs to make a merge attempt with all the other coalitions. In the initial coalition structure in which each one of the N individual CPs is a federation, the first merge needs $\frac{N(N-1)}{2}$ attempts in the worst-case. The second merge requires $\frac{(N-1)(N-2)}{2}$ attempts and so on. As a result,

the total worst-case number of merge operations is in $O(N^3)$. In the worst-case, splitting a federation \mathcal{S} is in $O(2^{|\mathcal{S}|})$, which involves finding all the possible partitions of size two of the participating federations [43].

2) *Stable Coalitions*: After defining the cooperative strategies of the CPs, now, we should analyze the dynamic of the coalition formation process to find under what conditions it settles down to the stable coalitional states. We apply a Markov decision process (MDP) to obtain the solution.

Considering χ_k as a coalition structure, we define the state space of the CPs coalition formation as follows:

$$\Omega = \{\chi_k | k = \{1, \dots, B_N\}\}. \quad (18)$$

The coalitional state will be changed if the strategies of some CPs change due to their decision for merging into or splitting from their current coalitions depend on the obtained payoff from different coalitions. Given the electricity prices announced by the smart grid, we denote the transition probability matrix for a coalitional state as follows:

$$\mathbf{T}(\delta) = \begin{bmatrix} \eta_{1,1}(\delta) & \eta_{1,k'}(\delta) & \dots & \eta_{1,B_N}(\delta) \\ \vdots & \vdots & \ddots & \vdots \\ \eta_{k,1}(\delta) & \eta_{k,k'}(\delta) & \dots & \eta_{k,B_N}(\delta) \\ \vdots & \vdots & \ddots & \vdots \\ \eta_{B_N,1}(\delta) & \eta_{B_N,k'}(\delta) & \dots & \eta_{B_N,B_N}(\delta) \end{bmatrix}, \quad (19)$$

where $\eta_{k,k'}(\delta)$ is the probability that a coalitional state changes from χ_k to $\chi_{k'}$. Suppose that $\mathbb{k}_{k,k'} \subseteq \mathcal{N}$ is the set of the CPs who decide to perform merge and split actions, which results in a change in the coalition state from χ_k to $\chi_{k'}$, where $\chi_{k'}$ is reachable from χ_k , given the strategies of the CPs in $\mathbb{k}_{k,k'}$. Then, $\eta_{k,k'}(\delta)$ can be given by [44], [45]:

$$\eta_{k,k'}(\delta) = \prod_{i \in \mathbb{k}_{k,k'}} \sigma \tau_i(\chi_{k'} | \chi_k) (1 - \sigma)^{N - |\mathbb{k}_{k,k'}|}, \quad (20)$$

where σ denotes the probability of performing a merge and split strategy by a CP. Note that if $\chi_{k'}$ is not reachable from χ_k , $\eta_{k,k'}(\delta)$ will be equal to zero. $\tau_i(\chi_{k'} | \chi_k)$ is a best-reply rule and is defined as the probability of changing the coalitional state from χ_k to $\chi_{k'}$ due to the change in the strategy of CP i . This probability can be calculated as follows:

$$\tau_i(\chi_{k'} | \chi_k) = \begin{cases} \varrho, & \text{if } \psi_i(\mathcal{S} \in \chi_{k'}) \geq \psi_i(\mathcal{S} \in \chi_k), \\ \epsilon, & \text{otherwise.} \end{cases} \quad (21)$$

for $i \in \mathcal{S} \in \chi_k$, $i \in \mathcal{S} \in \chi_{k'}$, and $\chi_k \neq \chi_{k'}$. $\varrho \in (0, 1]$ is a constant, and ϵ is the probability that the CP acting irrationally (e.g. due to the lack of information), leads to obtain less profit and generally has a small value. The diagonal elements are calculated as:

$$\eta_{k,k}(\delta) = 1 - \left(\sum_{\chi_{k'} \in \Omega \setminus \{\chi_k\}} \eta_{k,k'}(\delta) \right). \quad (22)$$

Given the fixed pricing parameter δ determined by the SG, we should derive the stationary probability of the Markov chain defined by the state space in (18) and the transition

probability in (19). We denote the vector of the stationary probabilities by $\vec{p}_\delta = [p_\delta(\chi_1), \dots, p_\delta(\chi_k), \dots, p_\delta(\chi_{B_N})]^T$. It can be obtained by solving the following set of equations: $\vec{p}_\delta^T = \vec{p}_\delta^T \mathbf{T}(\delta)$, and $\vec{p}_\delta^T \mathbf{1} = 1$. If the probability of taking the irrational decision approaches zero (i.e., $\epsilon \rightarrow 0^+$), there could be an ergodic set $\mathbb{E}_c \subseteq \Omega$ of states χ_k . Once all players enter a coalitional state in an ergodic set, they will remain in that set forever after. Ergodic set defines as follows.

Definition 1. A set \mathbb{E}_c is ergodic if $\eta_{k,k'}(\delta) = 0$, for any $\chi_k \in \mathbb{E}_c$ and $\chi_{k'} \notin \mathbb{E}_c$, and no nonempty proper subset of \mathbb{E}_c has this property. The singleton ergodic sets are named absorbing states. In other words, χ_k is absorbing set, if $\eta_{k,k}(\delta) = 1$ [44].

The absorbing states are stable coalitional states. Reaching to an absorbing state, which is a stable coalitional state, no player has an incentive to change its strategy, given the prevailing coalitional state. As a result, by finding the stationary probability of the Markov chain, we can derive the stable coalition states.

3) *Optimization Formulation for the Smart Grid*: For any given coalitional structure, the smart grid must decide on its optimal pricing parameters' vector δ . Hence, given the underlying coalitional game between the CPs, the optimization formulation for the smart grid, is a 4-tuple $(\Omega, \Xi, \eta_{k,k'}(\delta), U^{SG}(\chi_k, \delta))$, where Ω is a finite set of coalitional states as defined in (18), Ξ is a finite set of actions δ , $\eta_{k,k'}(\delta)$ is the transition probability defined in (20), and $U^{SG}(\chi_k, \delta)$ is the immediate profit (utility) the SG obtained at coalitional structures χ_k with action δ defined in (11).

The SG aims at optimizing its long-term profit through choosing the optimal policy. A policy is a mapping from a coalitional state $\chi_k \in \Omega$ to an action $\delta \in \Xi$. The SG should determine its action in such a way satisfies the constraint on the electricity price in (15). Therefore, the optimization problem for the smart grid can be formulated as:

$$\max_{\pi} \quad \Upsilon_{U,\pi} \quad (23)$$

$$\text{s.t.} \quad \theta_l \leq \Upsilon_{\theta,\pi} \leq \theta_h, \forall j \in \mathcal{N}, \quad (24)$$

where:

$$\Upsilon_{U,\pi} = \lim_{T \rightarrow \infty} \inf \frac{1}{T} \sum_{t=1}^T E_\pi[U^{SG}(\delta(t), \chi_k(t))], \quad (25)$$

$$\Upsilon_{\theta,\pi} = \lim_{T \rightarrow \infty} \sup \frac{1}{T} \sum_{t=1}^T E_\pi[\theta_i(\delta(t), \chi_k(t))], \quad (26)$$

where $\chi_k(t)$ and $\delta(t)$ are the coalition structure and the vector of the pricing parameters at time t , respectively. $E_\pi(\cdot)$ denotes the expectation over policy π . Policy π is defined as $\pi = \{\varphi(\chi_k, \delta) | k = \{1, \dots, B_N\}, \forall \delta \in \Xi\}$, where $\varphi(\chi_k, \delta)$ is the probability of taking action δ at coalitional state χ_k .

To obtain the optimal policy of MDP as defined in (23)-(24), an equivalent linear programming (LP) model can be formulated. We use this equivalent model to find $\phi(\chi_k, \delta)$, which is the stationary probability of the coalitional state and

action. The LP model is defined as follows:

$$\max_{\phi(\chi_k, \delta)} \sum_{\chi_k \in \Omega} \left(\sum_{\delta \in \Xi} U^{SG}(\chi_k, \delta) \phi(\chi_k, \delta) \right) \quad (27)$$

s.t.

$$\theta_l \leq \sum_{\chi_k \in \Omega} \left(\sum_{\delta \in \Xi} \theta_i(\chi_k, \delta) \phi(\chi_k, \delta) \right) \leq \theta_h, \forall i \in \mathcal{N}, \quad (28)$$

$$\sum_{\delta \in \Xi} \phi(\chi_{k'}, \delta) = \sum_{\chi_k \in \Omega} \left(\sum_{\delta \in \Xi} \phi(\chi_k, \delta) \eta_{k, k'}(\delta) \right), \quad (29)$$

$$\sum_{\chi_k \in \Omega} \left(\sum_{\delta \in \Xi} \phi(\chi_k, \delta) \right) = 1, \quad (30)$$

$$\phi(\chi_k, \delta) \geq 0, \forall \chi_k \in \Omega, \forall \delta \in \Xi, \quad (31)$$

for $\chi_{k'} \in \Omega$.

Given the optimal solution $\phi^*(\chi_k, \delta)$ of the LP model, we can calculate the probability that the smart grid selects δ when the coalitional state of CPs is χ_k . We denote this probability by $\varphi^*(\chi_k, \delta)$, and calculate as follows:

$$\varphi^*(\chi_k, \delta) = \frac{\phi^*(\chi_k, \delta)}{\sum_{\delta' \in \Xi} \phi^*(\chi_k, \delta')}, \quad (32)$$

for $\sum_{\delta' \in \Xi} \phi^*(\chi_k, \delta') > 0$. Given the values of $\varphi^*(\chi_k, \delta)$, the optimal policy is then defined as $\pi^* = \{\varphi^*(\chi_k, \delta) | k = \{1, \dots, B_N\}, \forall \delta \in \Xi\}$

As we mentioned in section V-C2, depending on the optimal policy of the smart grid, the stationary probability of the coalitional state can be derived. For an optimal policy π^* , we denote the stationary probability of coalitional state χ_k by $\pi^*(\chi_k)$. The vector of the stationary probabilities is denoted by $\vec{p}_{\pi^*} = [p_{\pi^*}^*(\chi_1), \dots, p_{\pi^*}^*(\chi_k), \dots, p_{\pi^*}^*(\chi_{B_N})]^T$, and can be computed by solving the following equations: $\vec{p}_{\pi^*}^T = \vec{p}_{\pi^*}^T \mathbf{T}_{\pi^*}$, and $\vec{p}_{\pi^*}^T \mathbf{1} = 1$. In this regard, we compute the average profit of the smart grid as:

$$\overline{USG} = \sum_{\chi_k \in \Omega} p_{\pi^*}^*(\chi_k) \left(\sum_{\delta \in \Xi} \varphi^*(\chi_k, \delta) U^{SG}(\chi_k, \delta) \right), \quad (33)$$

and, the average cost of content provider i is obtained from:

$$\overline{\psi}_i = \sum_{\chi_k \in \Omega} p_{\pi^*}^*(\chi_k) \left(\sum_{\delta \in \Xi} \varphi^*(\chi_k, \delta) \psi_i(\chi_k, \delta) \right). \quad (34)$$

Again, if the probability of irrational decision approaches zero, there could be an ergodic set $\mathbb{E}_c \subseteq \Omega$ of absorbing states.

VI. EXPERIMENTAL RESULTS

A. Parameter Setting

We consider six DCs, which are operated by independent CPs, that are geographically located in different regions in the United States [14]. The configuration parameters of DCs include the number of hosts (M) and the value of parameter a , the idle and peak power of the hosts, as well as PUE (γ) of each DC are reported in Table II. Although the value of PUEs in our model can be constant or variable, here, for simplicity we assume constant PUE values for DCs under all

TABLE II: Simulation parameters [7].

DC#	M	a	PUE	$P^{idle} (KW)$	$P^{peak} (KW)$
1	15000	1	1.3	0.086	0.274
2	12000	2	1.5	0.143	0.518
3	10000	3	1.3	0.490	1.117
4	20000	1	1.6	0.086	0.274
5	15000	2	1.8	0.143	0.518
6	10000	3	1.1	0.490	1.117

loads. However, in practice, it varies with the IT load and environmental conditions and improved at lower loads. As a result, when some workloads migrated from a DC connected to a bus with a high electricity price to the other one with a lower price, we could gain more than we are currently earning by assuming the constant PUEs.

The cost of a VM migration from CP i to CP j is calculated as the product of the cost rate of transferring data, data rate, and the time of migration. Data cost rate is set to 0.001 \$/GB according to the Amazon EC2 data transfer pricing [46], and we assume that data would be sent at a fixed rate of 100 Mbit/s. Migration time is a random number from the Normal distribution with mean 554 sec. and the standard deviation of 364 sec. [7].

The dynamic computing requests are simulated using the one-day HP request trace reported in [14]. It is scaled proportionally to the total capacity of data centers. Then, the workload of each hour randomly is distributed among data centers based on their capacity. We took hourly demands of six locations on 27th August 2018 as the background power load for calculating G_i s in (11) [47]–[49]. The lower and upper boundaries of electricity prices are set to be 8 and 25 cents/kWh based on the data from [50]. The parameters of the interactive coalitional game are $\sigma = 0.5$, $\varrho = 0.99$, $\epsilon = 0.01$, $\alpha_1 = 0.3$, and $\alpha_2 = 0.7$ [13]. We use MATLAB for simulation and YALMIP toolbox [51] along with CPLEX [52] solver for solving the optimization problems.

B. Simulation Results and Evaluation

In addition to the proposed interactive cooperative game model (ICG), we also simulate two other approaches: a centralized approach introduced in Section V-B (we call it *CENT*), and a noncooperative scheme (we named it *NoCoop*).

In the *CENT* approach, we assume that the smart grid decides about the CPs coalition partition, the CPs are not selfish, and they follow the SG suggestion to form their coalitions. In *NoCoop*, the cloud providers individually process their workload without forming any coalition. Hence, regardless of the selected strategy by the SG (δ in the pricing function), CPs have the specific power demand. Therefore, the value of e_j s will be fixed. Consequently, the second term in (11), has a specific fixed value. But, depending on the smart grid strategy, the unit electricity price will be changed, resulting in different values for the first term in (11). Since the SG is a rational player, chooses the minimum value for δ to maximize the electricity price, consequently, its profit. Therefore, in the simulation of the noncooperative scheme, we report the results for the strategy with the maximum SG's profit.

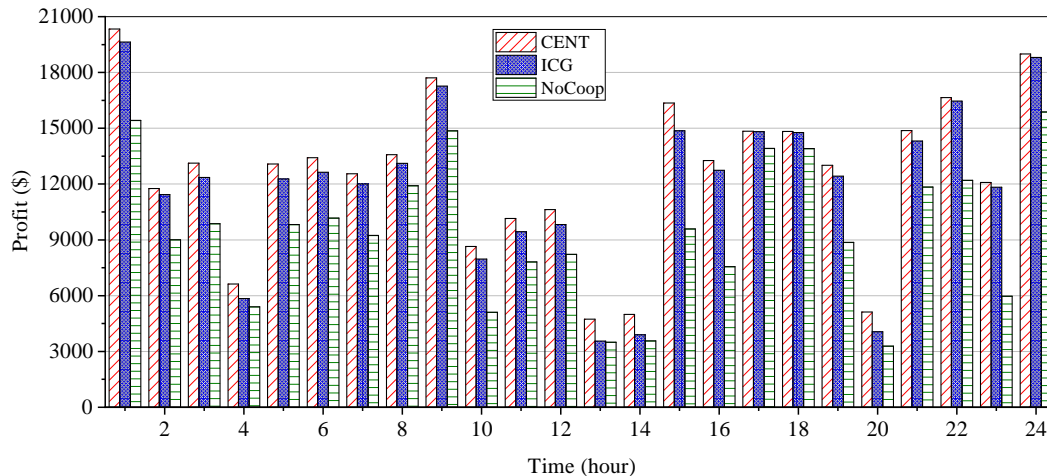


Fig. 3: The SG's profit for three schemes in the scheduling period.

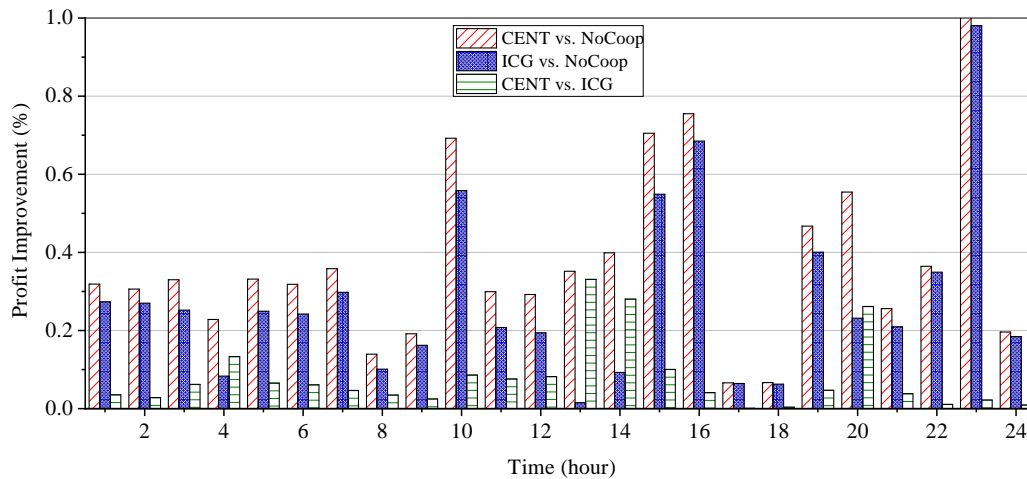


Fig. 4: Profit improvement of SG in the scheduling period.

In what follows, we evaluate the effectiveness of our model in terms of average profits obtained by the SG operator as well as by the cloud providers.

1) *SG Profit*: Figure 3 shows the resulting SG profit during the scheduling period. We also show the profit improvement of ICG and CENT compared to the NoCoop scheme, as well as the profit improvement percentage earned through CENT in comparison to ICG in Figure 4.

As can be seen from Figures 3 and 4, the two cooperative approaches (i.e., ICG and CENT) improve substantially the total SG' profit compared to noncooperative scheme, which demonstrates the positive effect of CPs cooperation on the SG profit when the SG chooses its strategy by considering this cooperation. Based on these figures, the average one-day's profit of the SG in CENT, ICG and NoCoop is equal to about 125560, 11930, and 9456, respectively. Indeed, the average profit improvement in CENT and ICG compared to the NoCoop case is 38 and 28% on average, respectively. As we mentioned in Section V-B, CENT approach as a benchmark

gives an upper bound on the profit can be earned by SG through the CPs cooperation, and Figure 4 shows that this bound is not much larger than the value obtained by ICG approach (8% on average). Nonetheless, the SG operator can design mechanisms to encourage CPs to follow its suggestion to achieve the maximum payoff.

2) *CPs Profit*: Figure 5 shows the aggregated profit earned by the CPs during different hours, and Figure 6 presents the average profit and the profit improvement for different CPs in ICG and CENT compared to NoCoop, as well as the profit improvement of ICG vs. CENT approach. From these figures, we observe that cooperative participation of CPs in demand response programs yields more profit compared to the noncooperative scheme. This improvement is 29%, and 19% for ICG and CENT, on average. Nonetheless, the profit improvement of CPs are not the same, and they earn different profits depending on their configurations and contributions.

However, the aggregated profit of ICG is larger than the CENT approach during most hours, the difference in the

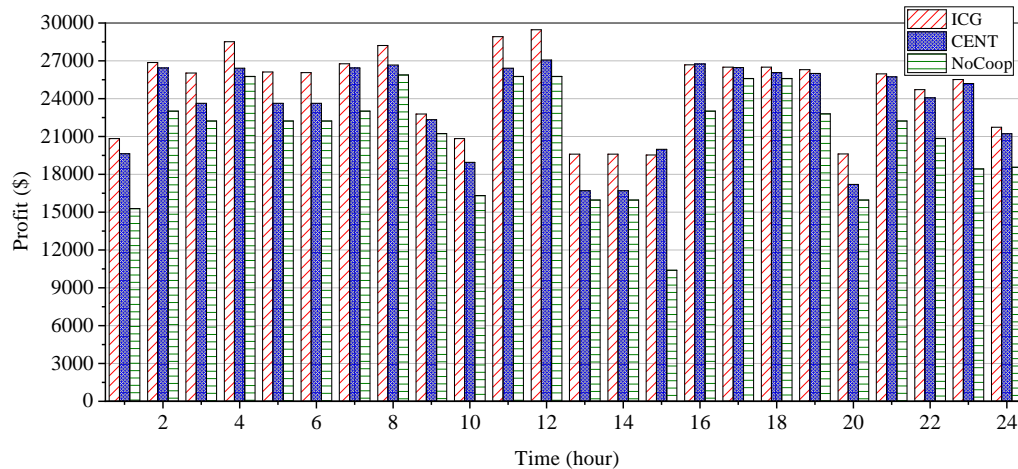


Fig. 5: The aggregated profit of CPs for three schemes in the scheduling period.

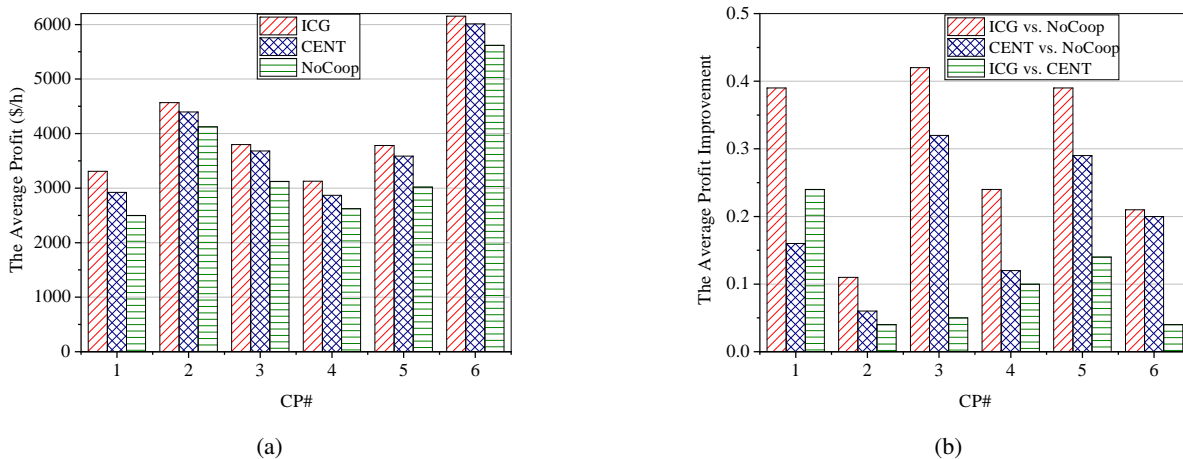


Fig. 6: Simulation results for clouds' profit (a) The average profit of CPs for three schemes (b) The average profit improvement of CPs for ICG and CENT compared to NoCoop, as well as CENT in comparison to ICG.

average profit is insignificant (The ICG on average leads to 10% more benefit than the CENT model). But, as the CPs are rational, selfish entities, they prefer to distributively decide on the cooperation process to achieve the maximum payoff, unless the SG applies the other mechanism to mitigate this difference. In summary and based on the simulation results, it is clear that CPs can maximize their payoffs in DR programs by cooperative workload management, and the SG can also gain from this cooperation by right setting its strategy.

VII. CONCLUSION

In this paper, we have focused on the interaction of the smart grid, and multiple cooperative cloud providers in the context of a dynamic electricity pricing scheme. We aimed to formulate the process of dynamic electricity pricing by the SG along with the cooperative workload management of independent CPs to analyze the impact of decisions taken by each side on the other. We have modeled this scenario as a two-stage Stackelberg game interleaved with a coalitional

game, we named interactive cooperative game (ICG). In this game, the SG as the leader specifies the pricing functions, and the CPs as followers manage their workload collaboratively so that minimize their cost. We have applied a coalitional game formulation for analyzing the cooperation process among CPs, and an optimization model based on the constrained Markov decision process for finding the optimal policy by the SG.

We have performed thorough simulations to evaluate the proposed scheme. Simulation results showed that ICG significantly improves the profit of SG as well as the CPs compared to the noncooperative case. The values of SG's utility improvement for ICG approach is 28%, on average, compared to the noncooperative scheme. The CPs profits are also increased by 29%, on average, in ICG scheme.

REFERENCES

- [1] D. Abbasinezhad-Mood and M. Nikooghadam, "An ultra-lightweight and secure scheme for communications of smart meters and neighborhood gateways by utilization of an arm cortex-m microcontroller," *IEEE Transactions on Smart Grid*, vol. 9, no. 6, pp. 6194–6205, May 2017.

- [2] D. Abbasinezhad-Mood, A. Ostad-Sharif, M. Nikooghadam, and S. M. Mazinani, "A secure and efficient key establishment scheme for communications of smart meters and service providers in smart grid," *IEEE Transactions on Industrial Informatics*, 2019.
- [3] S. Abid, T. A. Alghamdi, A. Haseeb, Z. Wadud, A. Ahmed, and N. Javaid, "An economical energy management strategy for viable microgrid modes," *Electronics*, vol. 8, no. 12, 2019.
- [4] G. El Rahi, A. Sanjab, W. Saad, N. B. Mandayam, and H. V. Poor, "Prospect theory for enhanced smart grid resilience using distributed energy storage," in *Proc. of the 54th Annual Allerton Conference on Communication, Control, and Computing (Allerton)*, Monticello, IL, USA, September 2016, pp. 248–255.
- [5] A. Shehabi, S. J. Smith, E. Masanet, and J. Koomey, "Data center growth in the united states: decoupling the demand for services from electricity use," *Environmental Research Letters*, vol. 13, no. 12, December 2018.
- [6] S. Klingert, "Mapping data centre business types with power management strategies to identify demand response candidates," in *Proc. of the Ninth International Conference on Future Energy Systems*. Karlsruhe, Germany: ACM, June 2018, pp. 492–498.
- [7] M. Guazzone, C. Anglano, and M. Sereno, "A game-theoretic approach to coalition formation in green cloud federations," in *Proc. of the 14th IEEE/ACM International Symposium on the Cluster, Cloud and Grid Computing (CCGrid)*, Chicago, Illinois, USA, May 2014, pp. 618–625.
- [8] M. Giacobbe, A. Celesti, M. Fazio, M. Villari, and A. Puliafito, "Towards energy management in cloud federation: A survey in the perspective of future sustainable and cost-saving strategies," *Computer Networks*, vol. 91, pp. 438–452, November 2015.
- [9] M. Chen, C. Gao, M. Song, S. Chen, D. Li, and Q. Liu, "Internet data centers participating in demand response: A comprehensive review," *Renewable and Sustainable Energy Reviews*, vol. 117, p. 109466, 2020.
- [10] S. Bahrami, Y. C. Chen, and W. V. WS, "An online algorithm for data center demand response," in *Proc. of the 53rd Annual Conference on Information Sciences and Systems (CISS)*. Baltimore, USA: IEEE, March 2019, pp. 1–6.
- [11] H. Chen, Y. Zhang, M. C. Caramanis, and A. K. Coskun, "Energyqare: Qos-aware data center participation in smart grid regulation service reserve provision," *ACM Transactions on Modeling and Performance Evaluation of Computing Systems (TOMPECS)*, vol. 4, no. 1, pp. 1–31, 2019.
- [12] M. M. Hassan, M. Abdullah-Al-Wadud, A. Almogren, B. Song, and A. Alamri, "Energy-aware resource and revenue management in federated cloud: A game-theoretic approach," *IEEE Systems Journal*, vol. 11, no. 2, pp. 951–961, June 2017.
- [13] D. Niyato, P. Wang, W. Saad, and A. Hjørungnes, "Controlled coalitional games for cooperative mobile social networks," *IEEE Transactions on Vehicular Technology*, vol. 60, no. 4, pp. 1812–1824, May 2011.
- [14] Z. Zhou, F. Liu, and Z. Li, "Bilateral electricity trade between smart grids and green datacenters: Pricing models and performance evaluation," vol. 34, no. 12. IEEE, December 2016, pp. 3993–4007.
- [15] Z. Zhou, F. Liu, S. Chen, and Z. Li, "A truthful and efficient incentive mechanism for demand response in green datacenters," *IEEE Transactions on Parallel and Distributed Systems*, November 2018.
- [16] L. Yu, T. Jiang, and Y. Zou, "Price-sensitivity aware load balancing for geographically distributed internet data centers in smart grid environment," *IEEE Transactions on Cloud Computing*, vol. 6, no. 4, pp. 1125–1135, October - December 2018.
- [17] C. Gu, L. Fan, W. Wu, H. Huang, and X. Jia, "Greening cloud data centers in an economical way by energy trading with power grid," *Future Generation Computer Systems*, vol. 78, pp. 89–101, January 2018.
- [18] S. Bahrami, V. W. Wong, and J. Huang, "Demand response for data centers in deregulated markets: A matching game approach," in *Proc. of the IEEE International Conference on Smart Grid Communications (SmartGridComm)*. Dresden, Germany: IEEE, October 2017, pp. 344–350.
- [19] Z. Zhou, F. Liu, and Z. Li, "Pricing bilateral electricity trade between smart grids and hybrid green datacenters," vol. 43, no. 1, pp. 443–444, June 2015.
- [20] Y. Wang, X. Lin, and M. Pedram, "Coordination of the smart grid and distributed data centers: A nested game-based optimization framework," in *Proc. of the IEEE Innovative Smart Grid Technologies Conference (ISGT)*, Washington DC, USA, February 2014, pp. 1–5.
- [21] N. H. Tran, D. H. Tran, S. Ren, Z. Han, E.-N. Huh, and C. S. Hong, "How geo-distributed data centers do demand response: A game-theoretic approach," *IEEE Transactions on Smart Grid*, vol. 7, no. 2, pp. 937–947, March 2016.
- [22] H. Wang, J. Huang, X. Lin, and H. Mohsenian-Rad, "Proactive demand response for data centers: a win-win solution," *IEEE Transactions on Smart Grid*, vol. 7, no. 3, pp. 1584–1596, May 2016.
- [23] B. El Zant, I. Arigo, and M. Gagnaire, "Game theoretic approaches for revenue sharing in federated cloud," in *Proc. of the 3rd IEEE International Conference on Cloud Networking (CloudNet)*, Luxembourg, Luxembourg, October 2014, pp. 300–306.
- [24] M. M. Hassan, M. S. Hossain, A. J. Sarkar, and E.-N. Huh, "Cooperative game-based distributed resource allocation in horizontal dynamic cloud federation platform," *Information Systems Frontiers*, vol. 16, no. 4, pp. 523–542, September 2014.
- [25] A. K. Bairagi, M. G. R. Alam, A. Talukder, T. H. Nguyen, C. S. Hong *et al.*, "An overlapping coalition formation approach to maximize payoffs in cloud computing environment," in *Proc. of the 2016 International Conference on Information Networking (ICOIN)*. Bhubaneswar, India: IEEE, January 2016, pp. 324–329.
- [26] D. Niyato, K. Zhu, and P. Wang, "Cooperative virtual machine management for multi-organization cloud computing environment," in *Proc. of the 5th International ICST Conference on Performance Evaluation Methodologies and Tools*, France, May 2011, pp. 528–537.
- [27] G. Kecskeméti, A. Kertész, A. Marosi, and Z. Németh, "Strategies for increased energy awareness in cloud federations," *High-Performance Computing on Complex Environments*, pp. 365–382, April 2014.
- [28] R. Kaewpuang, S. Chaisiri, D. Niyato, B.-S. Lee, and P. Wang, "Cooperative virtual machine management in smart grid environment," *IEEE Transactions on Services Computing*, vol. 7, no. 4, pp. 545–560, October-December 2014.
- [29] A. Celesti, A. Puliafito, F. Tusa, and M. Villari, "Energy sustainability in cooperating clouds," in *CLOSER*, Aachen, Germany, May 2013, pp. 83–89.
- [30] L. Niu and Y. Guo, "Enabling reliable data center demand response via aggregation," in *Proc. of the Seventh International Conference on Future Energy Systems*, Waterloo, Canada, June 2016, pp. 235–245.
- [31] Z. Yu, Y. Guo, and M. Pan, "Coalitional datacenter energy cost optimization in electricity markets," in *Proc. of the ACM 8th International Conference on Future Energy Systems*, New York, NY, USA, May 2017, pp. 191–202.
- [32] M. M. Moghaddam, M. H. Manshaei, W. Saad, and M. Goudarzi, "On data center demand response: A cloud federation approach," *IEEE Access*, vol. 7, no. 1, pp. 101 829–101 843, July 2019.
- [33] Y. Wang, X. Lin, and M. Pedram, "A stackelberg game-based optimization framework of the smart grid with distributed pv power generations and data centers," *IEEE Transactions on Energy Conversion*, vol. 29, no. 4, pp. 978–987, December 2014.
- [34] H. Wang and Z. Ye, "Renewable energy-aware demand response for distributed data centers in smart grid," in *2016 IEEE Green Energy and Systems Conference (IGSEC)*. Long Beach, California, USA: IEEE, November 2016, pp. 1–8.
- [35] A. Qureshi, "Power-demand routing in massive geo-distributed systems," Ph.D. dissertation, Massachusetts Institute of Technology, 2010.
- [36] D. Borgetto, H. Casanova, G. Da Costa, and J.-M. Pierson, "Energy-aware service allocation," *Future Generation Computer Systems*, vol. 28, no. 5, pp. 769–779, May 2012.
- [37] R. B. Myerson, *Game theory*. Harvard university press, 2013.
- [38] Z. Han, D. Niyato, W. Saad, and T. Başar, *Game Theory for Next Generation Wireless and Communication Networks: Modeling, Analysis, and Design*. Cambridge University Press, 2019.
- [39] D. Knuth, "The art of programming," *ITNOW*, vol. 53, no. 4, July 2011.
- [40] W. Saad, Z. Han, M. Debbah, A. Hjørungnes, and T. Başar, "Coalitional game theory for communication networks," *IEEE Signal Processing Magazine*, vol. 26, no. 5, pp. 77–97, September 2009.
- [41] L. S. Shapley, "A value for n-person games," *The Shapley value*, pp. 31–40, 1988.
- [42] A. Wierman, Z. Liu, I. Liu, and H. Mohsenian-Rad, "Opportunities and challenges for data center demand response," in *Proc. of the 2014 International on Green Computing Conference (IGCC)*, Dallas, Texas, USA, November 2014, pp. 1–10.
- [43] L. Mashayekhy, M. M. Nejad, and D. Grosu, "Cloud federations in the sky: Formation game and mechanism," *IEEE Transactions on Cloud Computing*, vol. 3, no. 1, pp. 14–27, 2014.
- [44] T. Arnold and U. Schwalbe, "Dynamic coalition formation and the core," *Journal of Economic Behavior & Organization*, vol. 49, no. 3, pp. 363–380, November 2002.

- [45] D. Niyato, P. Wang, W. Saad, and A. Hjørungnes, "Coalition formation games for improving data delivery in delay tolerant networks," in *Proc. of the IEEE Global Telecommunications Conference (GLOBECOM 2010)*, Miami, Florida, USA, December 2010, pp. 1–5.
- [46] Amazon elastic compute cloud. <http://aws.amazon.com/ec2>.
- [47] <https://www.nyiso.com/>.
- [48] <https://www.iso-ne.com/>.
- [49] <http://www.energyonline.com/>.
- [50] <https://www.eia.gov/electricity/data.php>.
- [51] J. Lofberg, "Yalmip: A toolbox for modeling and optimization in matlab," in *Proc. of the IEEE International Symposium on Computer Aided Control Systems Design*, Taipei, Taiwan, September 2004, pp. 284–289.
- [52] Cplex optimizer. <https://www.ibm.com/analytics/data-science/prescriptive-analytics/cplex-optimizer>.
- [53] A. H. Mohsenian-Rad and A. Leon-Garcia, "Coordination of cloud computing and smart power grids," in *Proc. of the First IEEE International Conference on Smart Grid Communications (SmartGridComm)*, Gaithersburg, MD, USA, October 2010, pp. 368–372.
- [54] A.-H. Mohsenian-Rad and A. Leon-Garcia, "Coordination of cloud computing and smart power grids," in *Proc. of the First International Conference on Smart Grid Communications (SmartGridComm)*, Miami, Florida, USA, December 2010, pp. 368–372.
- [55] L. Rao, X. Liu, L. Xie, and W. Liu, "Minimizing electricity cost: optimization of distributed internet data centers in a multi-electricity-market environment," in *Proc. of the 29th IEEE Conference on Computer Communications (INFOCOM)*, San Diego, CA, USA, March 2010, pp. 1–9.
- [56] —, "Coordinated energy cost management of distributed internet data centers in smart grid," *IEEE Transactions on Smart Grid*, vol. 3, no. 1, pp. 50–58, March 2012.
- [57] P. Wang, L. Rao, X. Liu, and Y. Qi, "Dynamic power management of distributed internet data centers in smart grid environment," in *Proc. of 2011 IEEE Global Telecommunications Conference (GLOBECOM 2011)*, Houston, Texas, USA, December 2011, pp. 1–5.
- [58] —, "D-pro: Dynamic data center operations with demand-responsive electricity prices in smart grid," *IEEE Transactions on Smart Grid*, vol. 3, no. 4, pp. 1743–1754, December 2012.
- [59] L. Rao, X. Liu, L. Xie, and Z. Pang, "Hedging against uncertainty: A tale of internet data center operations under smart grid environment," *IEEE Transactions on Smart Grid*, vol. 2, no. 3, pp. 555–563, September 2011.
- [60] L. Yu, T. Jiang, Y. Cao, S. Yang, and Z. Wang, "Risk management in internet data center operations under smart grid environment," in *Proc. of 2012 IEEE Third International Conference on Smart Grid Communications (SmartGridComm)*, Tainan, Taiwan, November 2012, pp. 384–388.
- [61] P. Luo, X. Wang, H. Jin, Y. Li, and X. Yang, "Smart-grid-aware load regulation of multiple datacenters towards the variable generation of renewable energy," *Applied Sciences*, vol. 9, no. 3:518, February 2019.
- [62] —, "Load management for multiple datacenters towards demand response in the smart grid integrating renewable energy," in *Proc. of the 2018 2nd International Conference on Computer Science and Artificial Intelligence (CSAI)*, Shenzhen, China, December 2018, pp. 140–144.
- [63] K. Le, R. Bianchini, J. Zhang, Y. Jaluria, J. Meng, and T. D. Nguyen, "Reducing electricity cost through virtual machine placement in high performance computing clouds," in *Proc. of 2011 International Conference for High Performance Computing, Networking, Storage and Analysis*, Washington, USA, November 2011, pp. 1–12.
- [64] Y. Fan, Y. Xia, Y. Liu, and X. Yuan, "Electricity cost management for cloud data centers under diverse delay constraints," in *Proc. of 2016 IEEE 3rd International Conference on Cyber Security and Cloud Computing (CSCloud)*, New York, USA, June 2016, pp. 12–19.
- [65] Z. Guo, Z. Duan, Y. Xu, and H. J. Chao, "Jet: Electricity cost-aware dynamic workload management in geographically distributed datacenters," *Computer Communications*, vol. 50, pp. 162–174, September 2014.
- [66] Y. Li, D. Chiu, C. Liu, L. T. Phan, T. Gill, S. Aggarwal, Z. Zhang, B. T. Loo, D. Maier, and B. McManus, "Towards dynamic pricing-based collaborative optimizations for green data centers," in *Proc. of the 29th IEEE International Conference on Data Engineering Workshops (ICDEW)*, Brisbane, Australia, April 2013, pp. 272–278.
- [67] B. Camus, A. Blavette, F. Dufossé, and A.-C. Orgerie, "Self-consumption optimization of renewable energy production in distributed clouds," in *Proc. of 2018 IEEE International Conference on Cluster Computing (CLUSTER)*, Belfast, UK, September 2018, pp. 370–380.
- [68] Z. Xu and W. Liang, "Minimizing the operational cost of data centers via geographical electricity price diversity," in *Proc. of the 2013 IEEE Sixth International Conference on Cloud Computing*, Santa Clara, CA, USA, July 2013, pp. 99–106.
- [69] H. Hu, Y. Wen, L. Yin, and L. Qiu, "Towards cost-efficient workload scheduling for a tango between geo-distributed data center and power grid," in *Proc. of 2016 IEEE International Conference on Communications (ICC)*, Kuala Lumpur, Malaysia, May 2016, pp. 1–7.
- [70] H. Hu, Y. Wen, L. Yin, L. Qiu, and D. Niyato, "Coordinating workload scheduling of geo-distributed data centers and electricity generation of smart grid," *IEEE Transactions on Services Computing*, November 2017.
- [71] W. Qi and J. Li, "Towards optimal coordinated operation of distributed internet data center microgrids," in *Proc. of 2016 IEEE Power and Energy Society General Meeting (PESGM)*, Boston, USA, July 2016, pp. 1–5.
- [72] L. Yu, T. Jiang, Y. Cao, and J. Wu, "Risk-constrained operation for internet data centers under smart grid environment," in *Proc. of 2013 International Conference on Wireless Communications and Signal Processing (WCSP 2013)*, Hangzhou, China, October 2013, pp. 1–6.
- [73] Y. Zhang, Y. Wang, and X. Wang, "Electricity bill capping for cloud-scale data centers that impact the power markets," in *Proc. of 2012 41st International Conference on Parallel Processing*, Pittsburgh, PA, USA, September 2012, pp. 440–449.
- [74] S. Bahrami, V. W. Wong, and J. Huang, "Data center demand response in deregulated electricity markets," *IEEE Transactions on Smart Grid*, vol. 10, no. 3, pp. 2820–2832, May 2019.
- [75] H. Wang, J. Huang, X. Lin, and H. Mohsenian-Rad, "Proactive demand response for data centers: A win-win solution," *IEEE Transactions on Smart Grid*, vol. 7, no. 3, pp. 1584–1596, May 2016.
- [76] —, "Exploring smart grid and data center interactions for electric power load balancing," *ACM SIGMETRICS Performance Evaluation Review*, vol. 41, no. 3, pp. 89–94, December 2013.
- [77] Y. Wang, X. Lir, and M. Pedram, "A sequential game perspective and optimization of the smart grid with distributed data centers," in *Proc. of the IEEE PES Innovative Smart Grid Technologies (ISGT)*, Washington, DC, USA, February 2013, pp. 1–6.
- [78] Y. Wang, X. Lin, and M. Pedram, "Coordination of the smart grid and distributed data centers: A nested game-based optimization framework," in *Proc. of 2014 IEEE PES Innovative Smart Grid Technologies Conference (ISGT)*, Washington DC, USA, February 2014, pp. 1–5.
- [79] N. Tran, S. Ren, Z. Han, S. M. Jang, S. I. Moon, and C. S. Hong, "Demand response of data centers: A real-time pricing game between utilities in smart grid," in *Proc. of the 9th International Workshop on Feedback Computing (Feedback Computing 14)*, Philadelphia, USA, June 2014.
- [80] N. H. Tran, D. H. Tran, S. Ren, Z. Han, E.-N. Huh, and C. S. Hong, "How geo-distributed data centers do demand response: A game-theoretic approach," *IEEE Transactions on Smart Grid*, vol. 7, no. 2, pp. 937–947, March 2016.
- [81] Z. Zhou, F. Liu, and Z. Li, "Bilateral electricity trade between smart grids and green datacenters: Pricing models and performance evaluation," *IEEE Journal on Selected Areas in Communications*, vol. 34, no. 12, pp. 3993–4007, December 2016.
- [82] G. S. Aujla, M. Singh, N. Kumar, and A. Zomaya, "Stackelberg game for energy-aware resource allocation to sustain data centers using res," *accepted for publication in IEEE Transactions on Cloud Computing*, June 2017.
- [83] L. Yu, T. Jiang, and Y. Zou, "Distributed online energy management for data centers and electric vehicles in smart grid," *IEEE Internet of Things Journal*, vol. 3, no. 6, pp. 1373–1384, December 2016.
- [84] R. Wang, N. Kandasamy, C. Nwankpa, and D. R. Kaeli, "Datacenters as controllable load resources in the electricity market," in *Proc. of the 33rd IEEE International Conference on Distributed Computing Systems (ICDCS)*, Philadelphia, USA, July 2013, pp. 176–185.
- [85] Z. Zhou, F. Liu, Z. Li, and H. Jin, "When smart grid meets geo-distributed cloud: An auction approach to datacenter demand response," in *Proc. of the IEEE Conference on Computer Communications (INFOCOM)*, Hong Kong, China, May 2015, pp. 2650–2658.
- [86] M. Ghamkari, H. Mohsenian-Rad, and A. Wierman, "Optimal risk-aware power procurement for data centers in day-ahead and real-time electricity markets," in *Proc. of the IEEE Conference on Computer Communications Workshops (INFOCOM WKSHPS)*, Toronto, Canada, April-May 2014, pp. 610–615.

- [87] Y. Zhang, L. Deng, M. Chen, and P. Wang, "Joint bidding and geographical load balancing for datacenters: Is uncertainty a blessing or a curse?" in *Proc. of the IEEE Conference on Computer Communications (INFOCOM)*, Atlanta, GA, USA, May 2017, pp. 1–9.
- [88] J. Camacho, Y. Zhang, M. Chen, and D. M. Chiu, "Balance your bids before your bits: The economics of geographic load-balancing," in *Proc. of the 5th international conference on Future energy systems*, Cambridge, United Kingdom, June 2014, pp. 75–85.
- [89] D. Paul, W.-D. Zhong, and S. K. Bose, "Energy efficiency aware load distribution and electricity cost volatility control for cloud service providers," *Journal of Network and Computer Applications*, vol. 59, pp. 185–197, January 2016.
- [90] Z. Chen, L. Wu, and Z. Li, "Electric demand response management for distributed large-scale internet data centers," *IEEE Transactions on Smart Grid*, vol. 5, no. 2, pp. 651–661, March 2014.
- [91] Q. Sun, S. Ren, C. Wu, and Z. Li, "An online incentive mechanism for emergency demand response in geo-distributed colocation data centers," in *Proc. of the Seventh International Conference on Future Energy Systems*, Waterloo, ON, Canada, June 2016, pp. 1–13.
- [92] L. Zhang, S. Ren, C. Wu, and Z. Li, "A truthful incentive mechanism for emergency demand response in geo-distributed colocation data centers," *ACM Transactions on Modeling and Performance Evaluation of Computing Systems (TOMPECS)*, vol. 1, no. 4, September 2016.
- [93] A. Abada and M. St-Hilaire, "Renewable energy curtailment via incentivized inter-datacenter workload migration," in *Proc. of 11th International Conference on Cloud Computing (CLOUD)*, Seattle, WA, USA, June 2018, pp. 143–157.
- [94] L. Niu and Y. Guo, "Enabling reliable data center demand response via aggregation," in *Proc. of the 7th International Conference on Future Energy Systems*, Waterloo, Canada, June 2016, pp. 235–245.
- [95] C. Dupont, T. Schulze, G. Giuliani, A. Somov, and F. Hermenier, "An energy aware framework for virtual machine placement in cloud federated data centres," in *Proc. of 2012 Third International Conference on Future Systems: Where Energy, Computing and Communication Meet (e-Energy)*, Madrid, Spain, May 2012, pp. 1–10.
- [96] M. Giacobbe, A. Celesti, M. Fazio, M. Villari, and A. Puliafito, "An approach to reduce carbon dioxide emissions through virtual machine migrations in a sustainable cloud federation," in *Proc. of 2015 Sustainable Internet and ICT for Sustainability (SustainIT)*, Madrid, Spain, April 2015, pp. 1–4.
- [97] G. Neglia, M. Sereno, and G. Bianchi, "Geographical load balancing across green datacenters: A mean field analysis," *ACM SIGMETRICS Performance Evaluation Review*, vol. 44, no. 2, pp. 64–69, September 2016.
- [98] M. Guazzone, C. Anglano, and M. Sereno, "A game-theoretic approach to coalition formation in green cloud federations," in *Proc. of the 14th IEEE/ACM International Symposium on Cluster, Cloud and Grid Computing (CCGrid)*, Chicago, Illinois, USA, May 2014, pp. 618–625.
- [99] M. M. Hassan, M. Abdullah-Al-Wadud, A. Almogren, B. Song, and A. Alamri, "Energy-aware resource and revenue management in federated cloud: A game-theoretic approach," *IEEE Systems Journal*, vol. 11, no. 2, pp. 951–961, June 2017.
- [100] G. Kecskeméti, A. Kertész, A. Marosi, and Z. Németh, "Strategies for increased energy awareness in cloud federations," *High-Performance Computing on Complex Environments*, pp. 365–382, April 2014.
- [101] T. Cioara, I. Anghel, I. Salomie, M. Antal, C. Pop, M. Bertocini, D. Arnone, and F. Pop, "Exploiting data centres energy flexibility in smart cities: Business scenarios," *Information Sciences*, vol. 476, pp. 392–412, February 2019.

TABLE III: Summary of related works on DCs participating in DR programs.

Topic	DR Scenario	DC Operator Objective	SG Objective	Problem Formulation	Other Features	Ref.
Service request routing in CC jointly with power flow analysis in SG	Regulated and deregulated market	NA	Load balancing and robustness	Optimization	NA	[53]
Find best location for building a DC	Regulated and deregulated market	Minimizing 1. carbon footprint, 2. energy & bandwidth & carbon tax cost, 2. average service latency	NA	MILP	NA	[54]
Minimizing the total electricity cost of IDCs while guaranteeing QoS	Multi-electricity-market	Minimizing total electricity cost	NA	Constrained MILP	Consider delay and workload constraints	[55], [56]
Model the market power of IDC and formulate electricity cost minimization	NA	Minimizing electricity cost	NA	MILNP	Consider DCs as price makers, and take into account delay and workload constraints	[57], [58]
Minimize the IDC operation risk	Electricity spot markets	Minimizing operation risk	NA	Bilevel programming	Consider correlation between workload and spot electricity price	[59], [60]
Adjust DCs load to balance the unstable solar input	NA	NA	Minimizing power loss	Genetic algorithm	Analyzed the impact of flexibility and delay of DC actions & Predict renewable generation in [61]	[61], [62]
Dynamic load distribution and migration policies	Peak Power	Minimizing electricity cost	NA	NA	Consider transient cooling effect	[63]
Minimize electricity cost under diverse delay requirements	Multi-electricity-market	Minimizing energy cost	NA	CMIP	NA	[64]
GLB scheme for distributed price-maker IDCs	Deregulated power market	Minimizing energy cost+revenue loss of degraded service performance	NA	Optimization	Consider impact of GLB upon electricity prices	[16]
Joint inter- and intra-data center workload management	NA	Minimizing energy cost	NA	Constrained nonlinear optimization	NA	[65]
Dynamic pricing negotiation	Dynamic pricing	Minimizing energy cost	NA	Optimization	NA	[66]
Minimize energy cost of DCs	Tiered pricing	Minimizing energy cost	NA	Convex optimization	DCs powered by power grid and local renewable energy generations	[34]
Optimize self-power consumption of a distributed cloud with on-site renewable generation	NA	Minimizing energy cost	NA	NA	Virtually exchange renewable energy between DCs	[67]
Minimize the operational cost of cloud for fair request allocations	Deregulated market	Minimizing the operational cost	NA	Optimization	Propose a fast approximation algorithm for solving the problem	[68]
Cost-efficient workload scheduling	NA	Reducing the penalties cost of scheduling scheme	Smooth the load variation	Multi-objective optimization	Consider batch and interactive workloads	[69], [70]
Optimal coordinated operation framework for minimizing the overall electricity cost	Day-ahead and real-time wholesale market	Minimizing the overall electricity cost	NA	NA	Consider cost of purchasing power from main grid, operation cost of onsite generations, carbon emission cost, & consider batch and interactive workloads	[71]
Greening scheduling of cloud DCs in an economical way	NA	Minimizing 1.energy cost, 2. carbon emission	NA	Complex MILP	Consider fluctuates in power prices, energy supply, and dynamics of request	[17]
Manage the uncertainties in IDC operations under SG environment	Forward and spot market	Minimizing weighted sum of operation risk and expected energy cost	NA	Two-stage stochastic programming	Consider Self-generation DCs	[72]

TABLE III: Summery of related works on DCs participating in DR programs (Cont.)

Topic	DR Scenario	Objectives of CPs	Objectives of SG	Problem Formulation	Other Features	Ref.
Electricity bill capping	Locational pricing	Minimizes the electricity cost, maximize throughput within cost budget	NA	MILP	<ul style="list-style-type: none"> Consider the energy consumption of cooling and network equipment Consider the DCs as price maker 	[73]
DCs coupled decisions of choosing utility companies and scheduling workload	Real-time pricing	Minimizing the energy and risk cost	Maximizing power selling revenue and minimizing peak-to-average ratio	Matching game with externalities	Consider uncertainty in the renewable generation and workloads arrival	[74]
Study interactions between SG and DCs by considering the active decisions on both sides	Regional dynamic pricing	Minimizing energy cost	Power load balancing	Two-stage problem/ bilevel optimization	<ul style="list-style-type: none"> Consider the effect of load distribution on the SG Study the impact of background load prediction error [75] 	[75], [76]
Model interaction between SG, and cloud computing	Two location-dependent dynamic pricing	Maximizing profit	Maximizing profit and performing load balancing	Two-stage sequential game	Consider power flow analysis, and distributed renewable generation in the SG [33]	[33], [77]
Model interactions among SG, cloud computing, and other load devices	Location-dependent real-time pricing	Maximizing profit	Maximizing profit and performing load balancing	Two stage Stackelberg game+non-cooperative game	NA	[78]
Study DR of geo-distributed DCs using electricity pricing signals	Real-time pricing	Cost minimization	Profit maximization	Two-stage Stackelberg +non-cooperative game	<ul style="list-style-type: none"> Utilize workload shifting and dynamic server allocation Consider dependency between utilities 	[79], [80]
Study bilateral electricity trade between SGs and DCs with hybrid green sources	Real-time pricing	Cost minimization	Profit maximization	Stackelberg game+non-cooperative game	DCs participate in net metering program to sold excess renewable energy to SGs	[19], [81]
Energy-aware resource allocation by using of renewable energy sources	NA	Sustain the energy of DCs using renewable energy sources (RES)	Profit maximization	Stackelberg games Consider users' SLA and QoS	[82]	
Online cost minimization of distributed DCs and EVs of their employees	NA	Cost minimization problem of DCs and EVs of their employees	NA	Stochastic programming/ Lyapunov optimization	<ul style="list-style-type: none"> Consider uncertainties in DC workloads, electricity prices, and EV energy demands Consider EV charging delays and peak power limits 	[83]
Risk-aware optimization framework allows DCs to operate as controllable load resources	Real-time and emergency DR in wholesale market	NA	Profit maximization	Optimization	Consider uncertainties in workload migration time, and obtained payoff from DR	[84]
Efficient incentive mechanism to elicit DR from geo-distributed clouds	incentive DR/ bidding	Social welfare maximization (the aggregated utility of the cloud and SGs)	Social welfare maximization	Auction mechanism	Strike a balance among the economic efficiency, truthfulness and the computational efficiency	[15], [85]

TABLE III: Summary of related works on DCs participating in DR programs (Cont.)

Topic	DR Scenario	Objectives of CPs	Objectives of SG	Problem Formulation	Other Features	Ref.
DC cost reduction by exploiting the diversity in the electricity price in multiple market	Bidding in day-ahead and real-time market	Profit maximization	NA	Stochastic optimization	Consider users SLA, risk, and statistical characteristics of workload and electricity prices	[86]
Cost reduction via jointly optimizing electricity procurement and GLB	Bidding in real-time and day-ahead markets	Minimizing total electricity and bandwidth cost	NA	Auction	Consider a distribution for electricity price and workload arrival	[87]
Study interactions of GLB and electricity supply chains	Bidding in day-ahead wholesale market	Minimizing energy and GLB cost	NA	Auction	NA	[88]
Optimal trading in the forward electricity market	Forward market	Minimizing cost of electricity, switching, response time, network delay, carbon emission	NA	Convex optimization	Consider electricity price variation, renewable availability, cooling conditions, the effect of carbon emission and server switching	[89]
Optimal DR capabilities of IDCs considering uncertainty in workload arrival	Day-ahead market	Minimizing expected electricity bill	NA	MILP-based stochastic optimization	Consider cost of electricity consumption, emission, migration, and revenue from DR provision	[90]
Study Emergency DR of colocations by delaying the tenants batch workload and diesel usage	Emergency DR	Minimizing cost of tenants performance and operators diesel generator	NA	Auction	Present an online algorithm by considering users' QoS in [91]	[91], [92]
Balance excess renewable energy in colocation DCs	Discounted energy prices in form of energy credits	Maximizing profit of cloud broker	NA	Optimization	NA	[93]
Enable reliable DR through DR capacity aggregation	Capacity bidding program	Maximizing the expected profit	NA	Coalitional game	Consider uncertainty in DR capacities	[94]
Energy cost reduction via aggregately bidding	Bidding in day-ahead forward market	Minimizing the electricity bill	NA	Coalitional game	Consider uncertainty in DCs' power demand	[31]

TABLE IV: Summary of related works on energy management of cloud federations.

Topic	Objectives of CPs	Problem Formulation	Other Features	Ref.
Energy-aware (re)allocation of VMs	Minimizing energy consumption or carbon emission	Constraint Programming	Consider the cloud users' SLA, and DC features	[95]
Reducing the carbon dioxide emissions in federated cloud ecosystems	Reducing carbon emission	NA	NA	[96]
Load balancing among federated micro-datacenters powered by renewable energies	Minimizing non-renewable energy cost	Markov Chain/ Mean Field Analysis	NA	[97]
Distributed approach for federation formation	Maximizing individual profit of clouds	Cooperative game theory	NA	[98]
Energy-aware resource and revenue sharing mechanism for cloud federations	Maximizing social welfare of CPs	Coalition game theory	Consider demand variations of internal users	[99]
Energy-aware scheduling policy for commercial and academic cloud federations	Minimizes the energy consumption of a federation while maintaining its performance	NA	NA	[100]
VM allocation, cost management, and cooperation formation	Minimize the expected cumulative cost of all cooperative clouds	Coalitional game/ Network formation game/ Stochastic programming	Consider uncertainties of users demand, power price, and renewable power source	[28]
DC energy flexibility exploitation for smart grid integration & business scenarios for participating DC federations in DR	Adapt the DCs energy demand to improve the SG's stability	MINLP	Consider electrical and thermal energy, and workload relocation flexibility	[101]